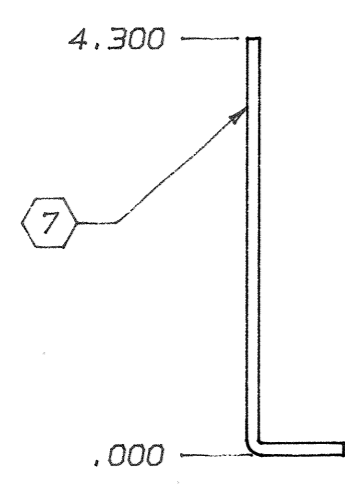
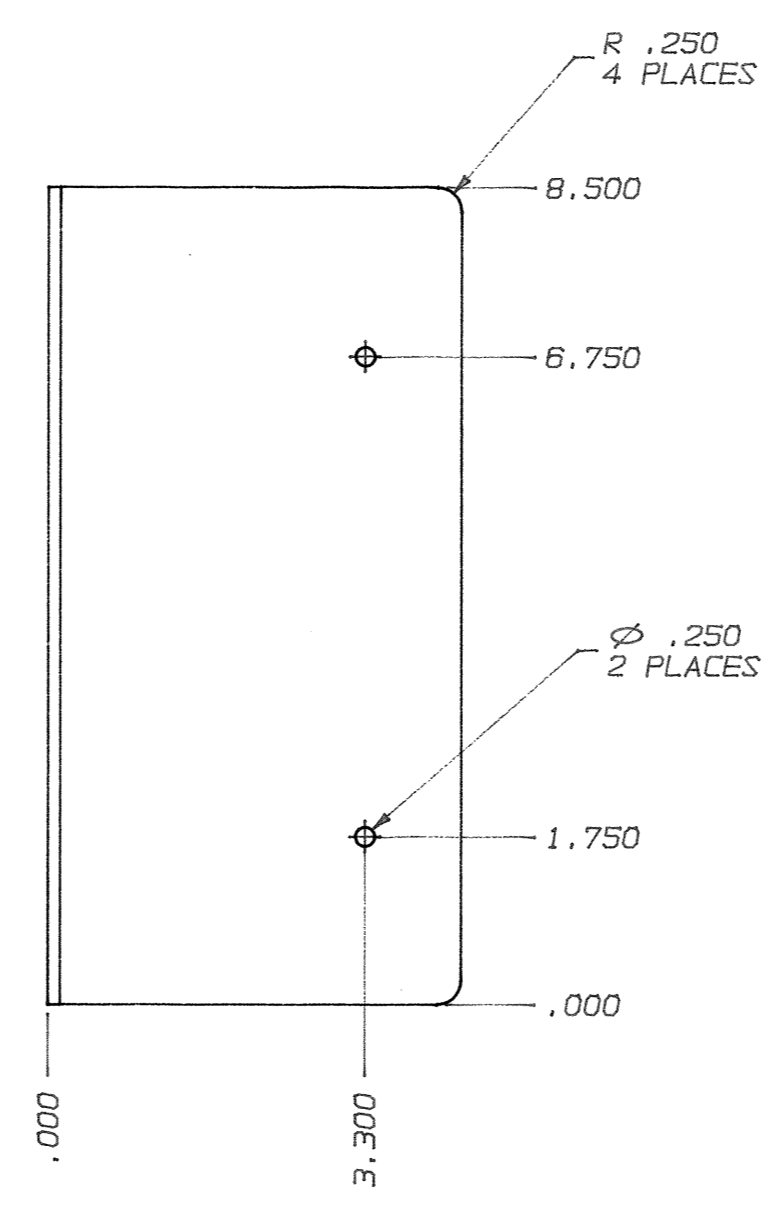
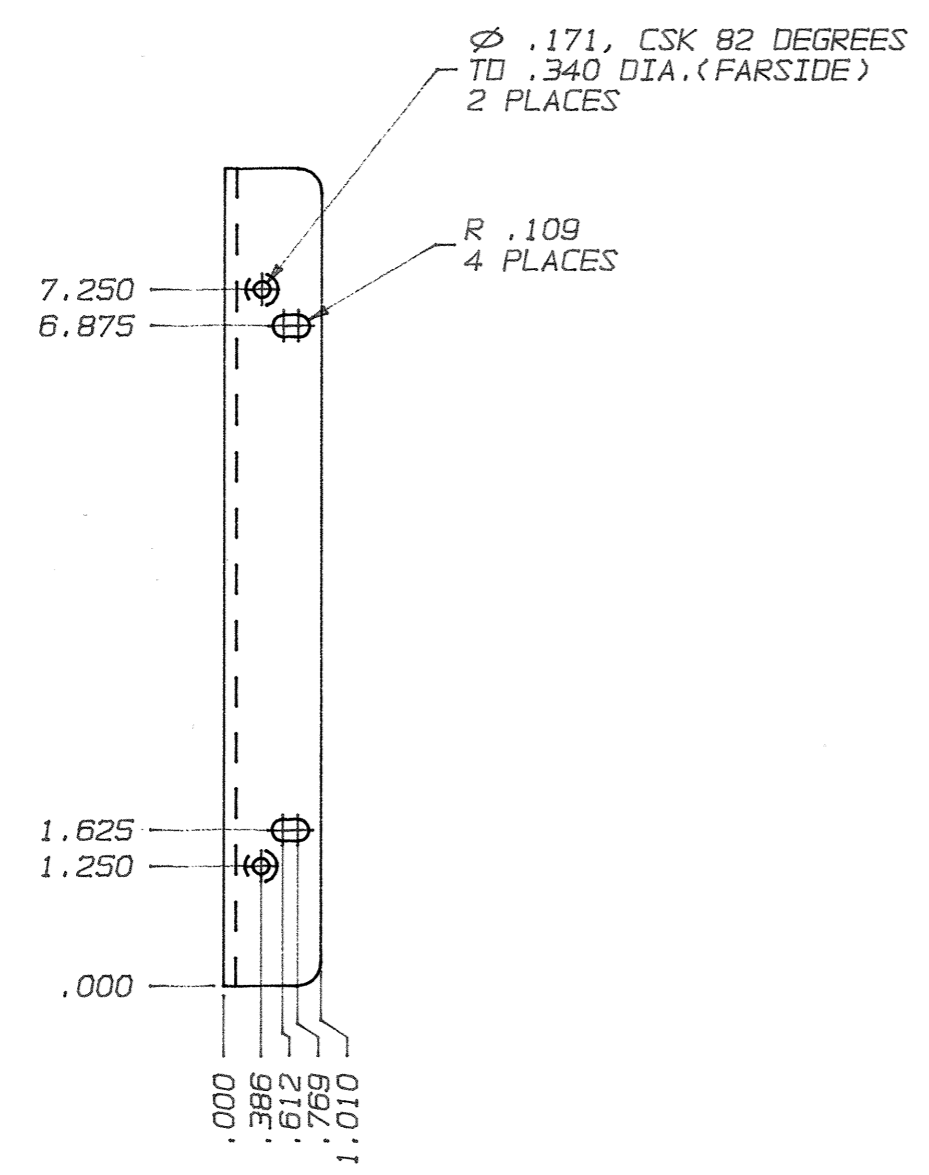


REVISIONS			
REV	DESCRIPTION	DATE	APPROVED
A	CHANGED MATERIAL THICKNESS TO .125"	12/21/93	JG



← GRAIN DIRECTION →



2 REQUIRED PER ASSEMBLY

- NOTES:
- 1) ALL DIMENSIONS ARE IN INCHES
 - 2) TOL +/- .010
 - 3) USE MINIMUM RADII ON ALL BENDS
 - 4) GRAIN METAL IN DIRECTION SHOWN REMOVE ALL SHARP EDGES AND BURRS
 - 5) MATERIAL: .125 ALUMINUM (8 ga.)
 - 6) FINISH: BLACK ANODIZE
 - 7) RUBBER OR METAL STAMP ON THIS SURFACE IN .12 -.19 HIGH CHARACTERS: 7-00553-720.REVA

STANFORD RESEARCH SYSTEMS, Inc.

1290-D REAMWOOD AVENUE
SUNNYVALE, CA 94089
PHONE: (408) 744-9040
FAX: 4087449049
TELEX: 706891 SRS UD

ASSEMBLY:
8.75" PLATFORM/SR780 FFT SPECTRUM ANALYZER

TITLE:
RACK MOUNT

SIZE C	SRS REF# SR780-20	SRS PART# 7-00553-720	REV A
-----------	----------------------	--------------------------	----------

DRAWN BY: JG SCALE: 1:2 DATE: 5/4/93 SHEET 1 OF 1